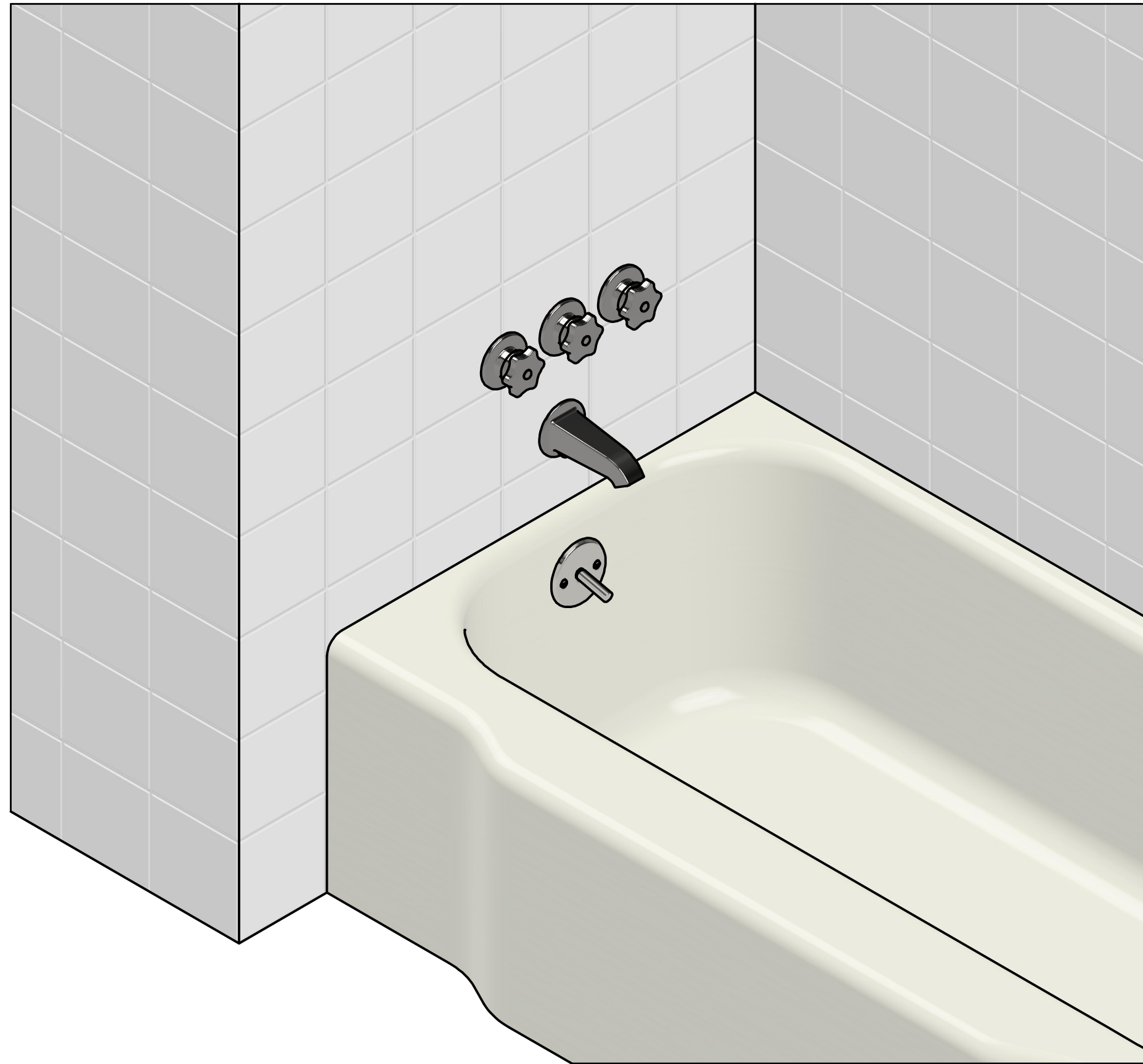
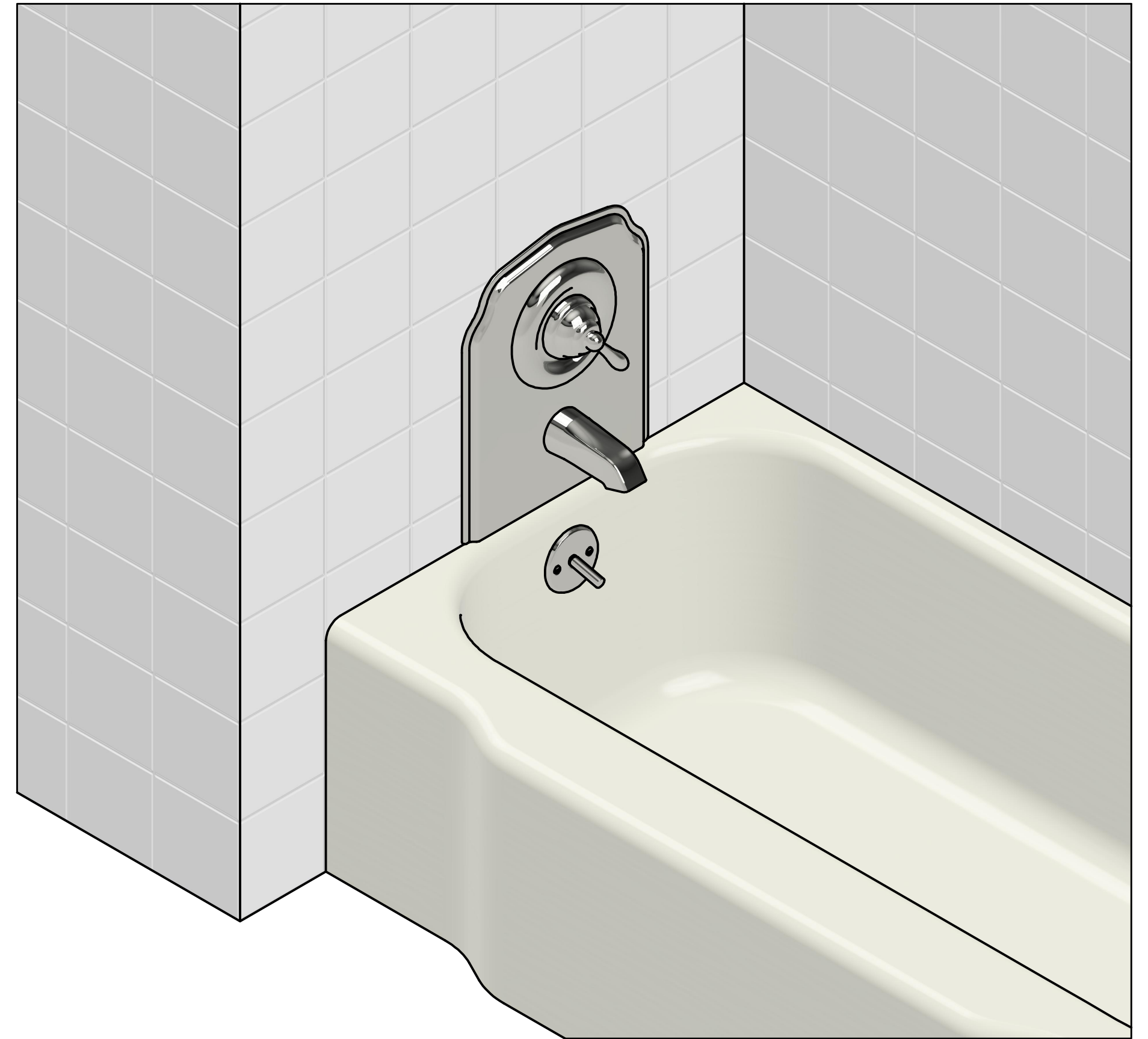


3 Handle Valve to 1 Handle Valve Update Plate



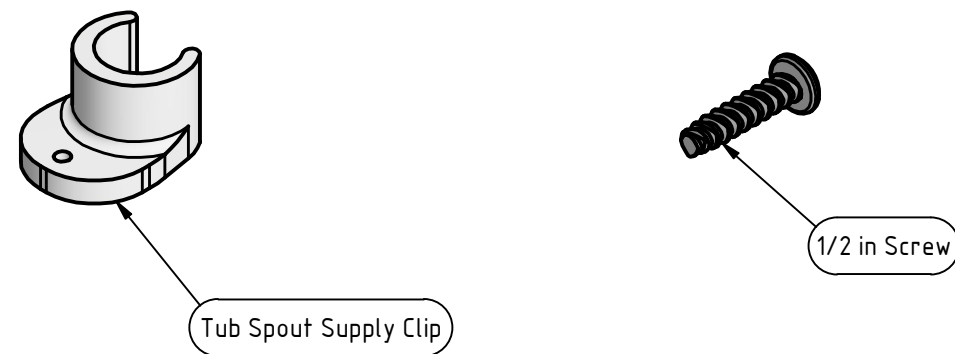
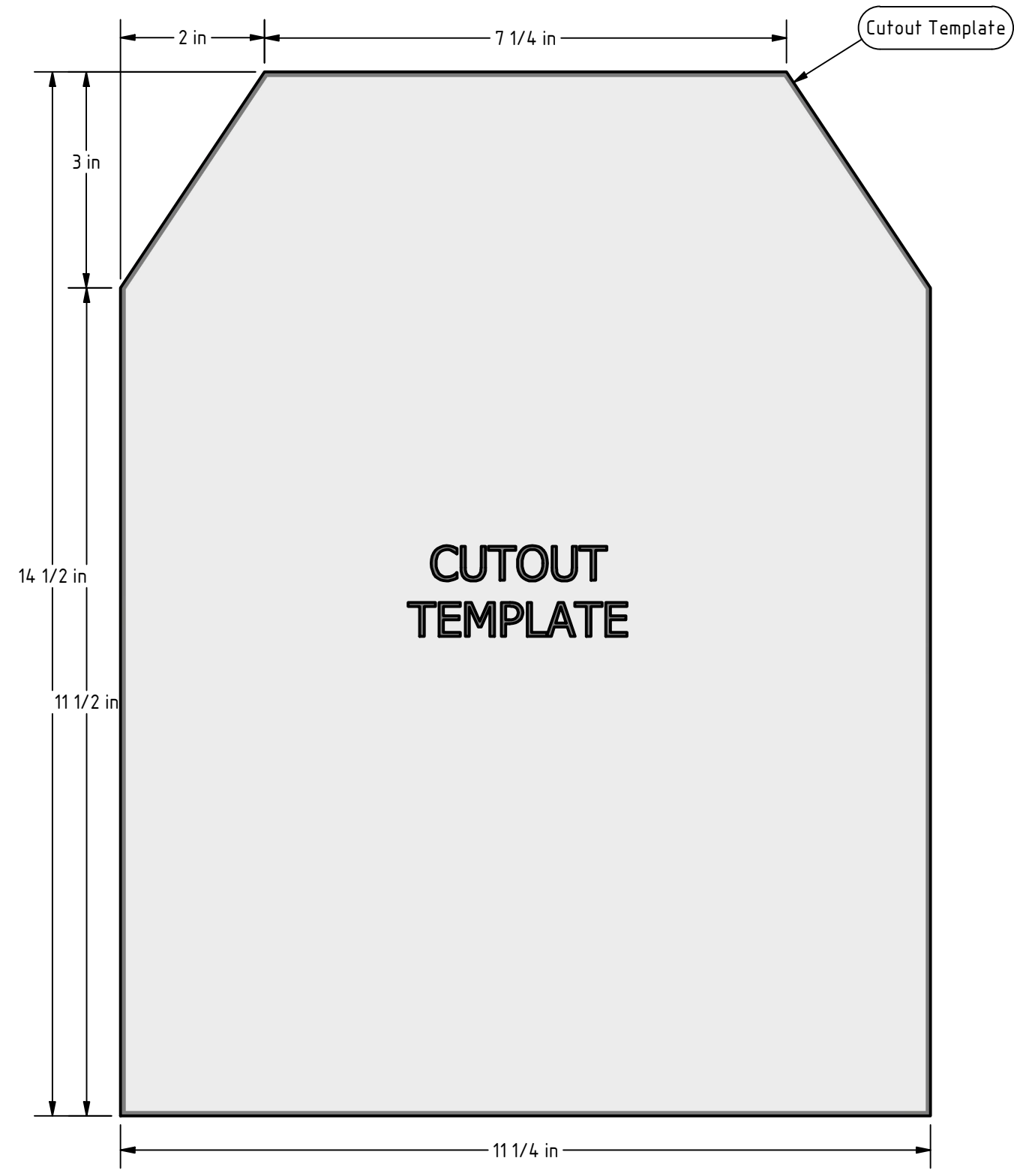
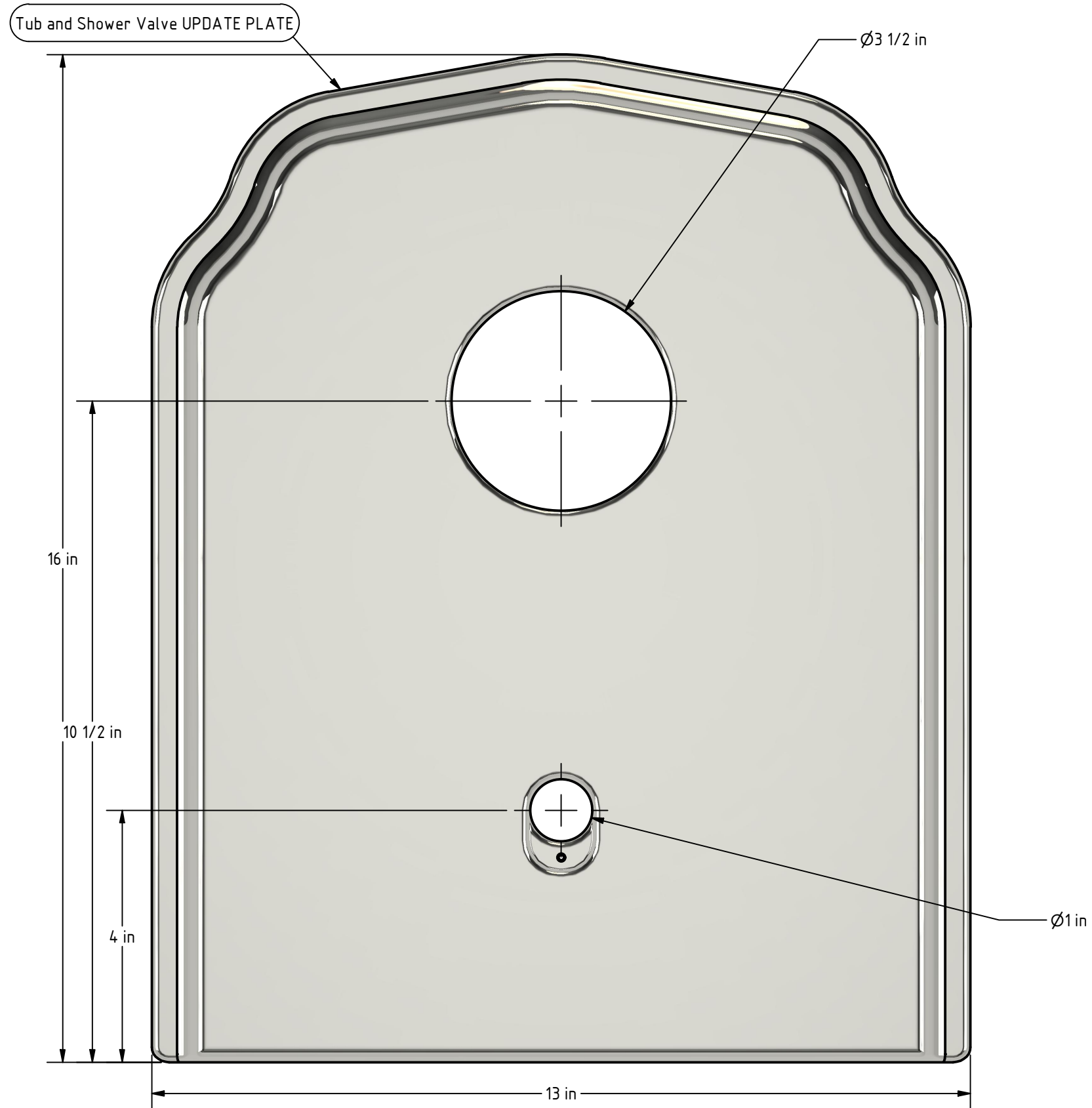
BEFORE - 3 Handle Tub and Shower Valve



AFTER - 1 Handle Tub and Shower Valve

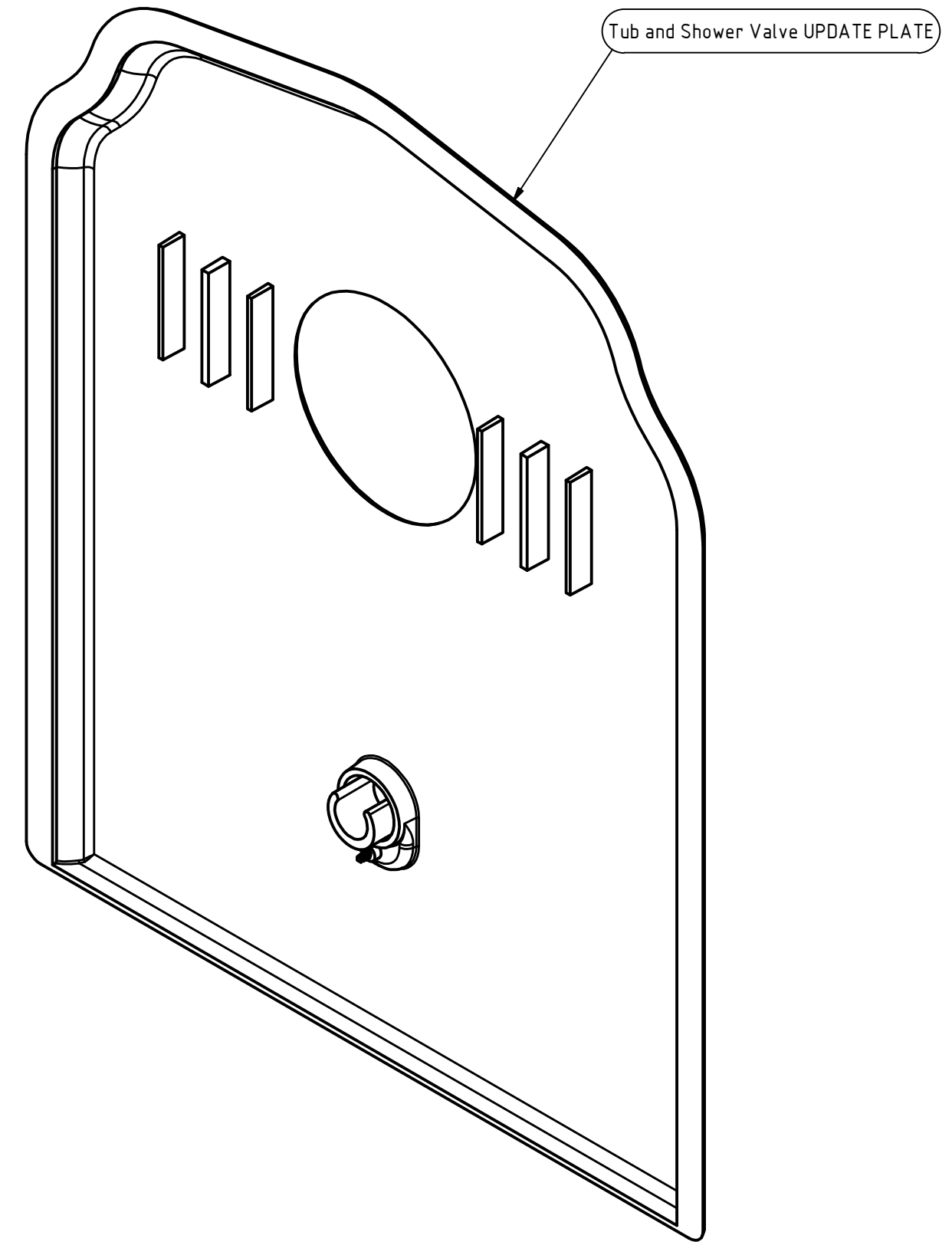
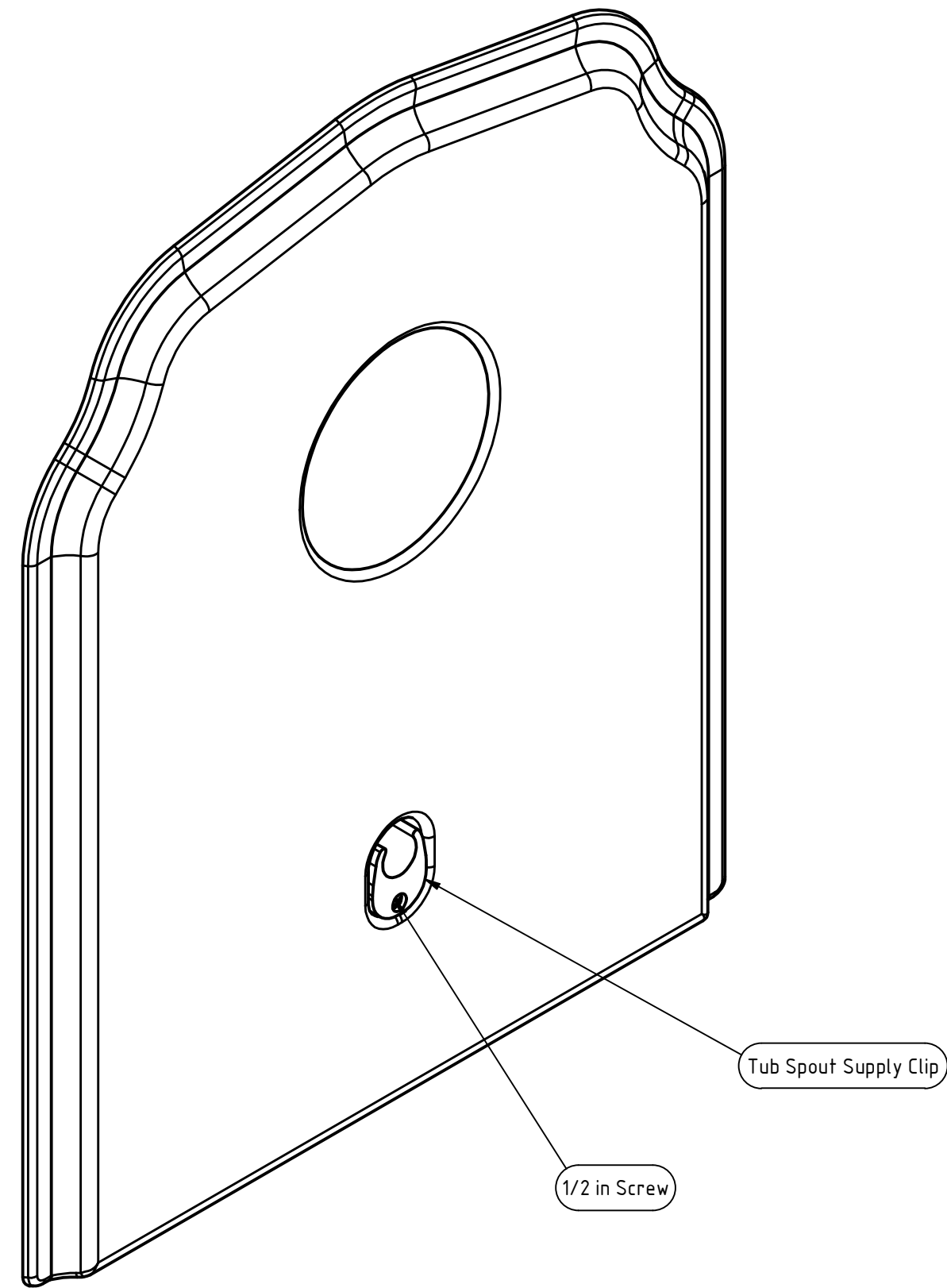
Thank You for purchasing the Tub and Shower Valve UPDATE PLATE. We are confident that this kit will help you in upgrading your tub and shower valve system while providing a very satisfactory look. This product has been developed by a plumber with many years of experience. Hopefully you will find it to be very installer friendly and a perfect solution to the necessary replacement of your existing tub and shower valve installation.

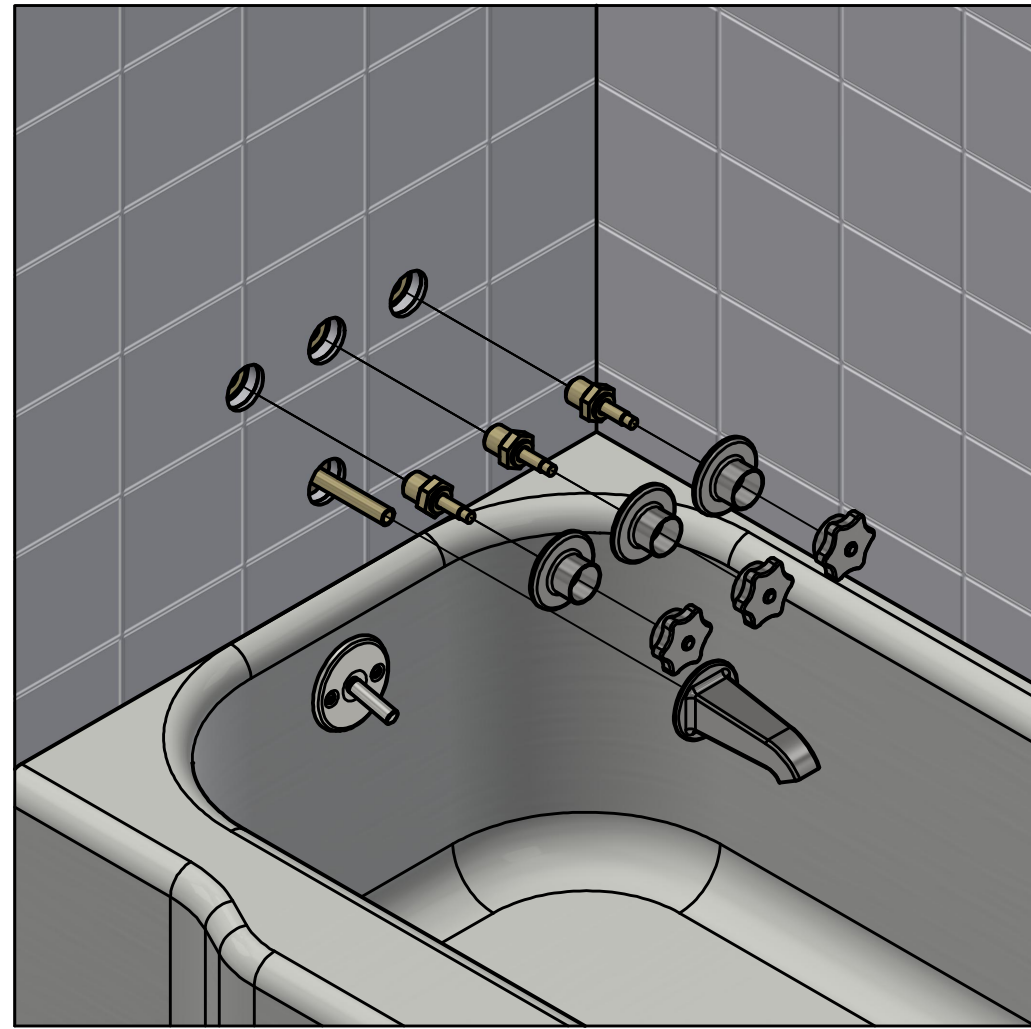
Included Parts



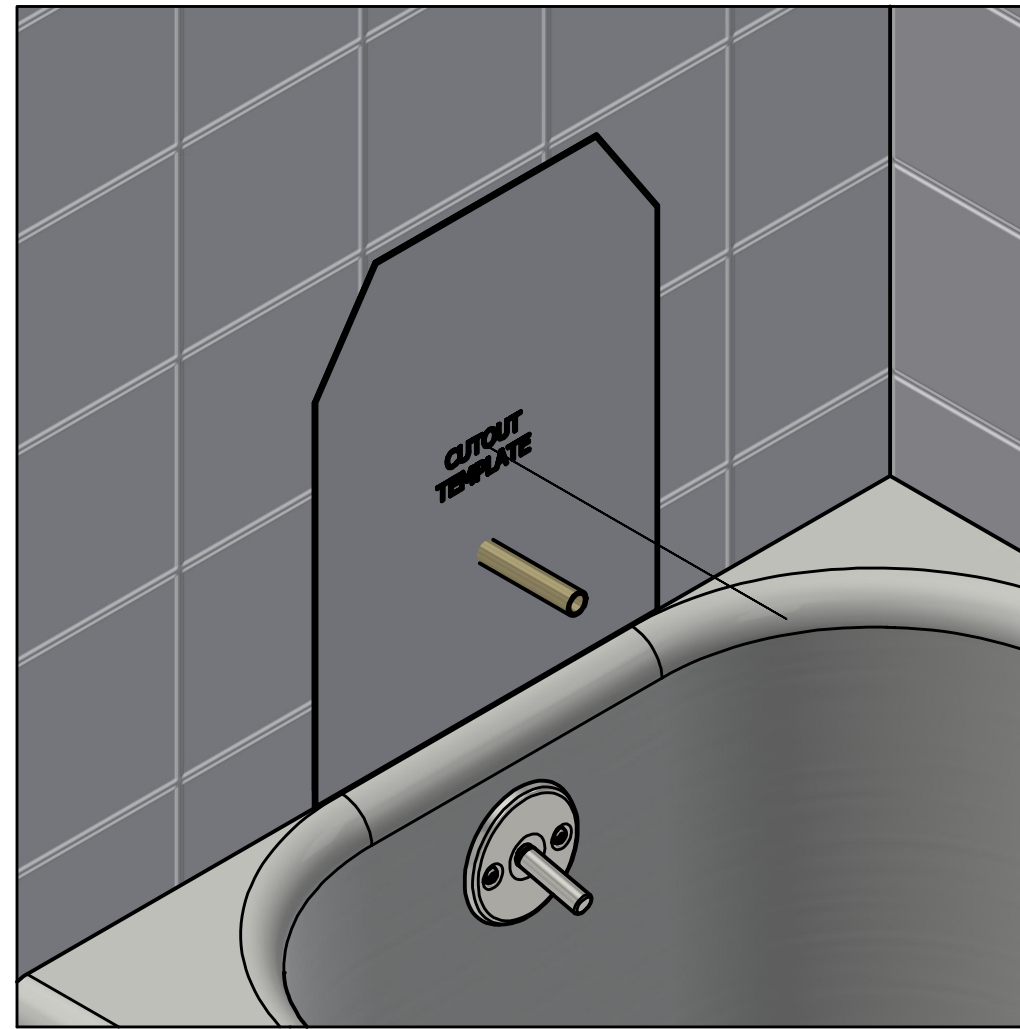
PARTS LIST			
ITEM	QTY	PART NUMBER	DESCRIPTION
1	1	P01	Tub and Shower Valve UPDATE PLATE
5	1	P06	Tub Spout Supply Clip
7	1	HW99461A130	1/2 in Screw
8	1	T01	Cutout Template

Assembly Example

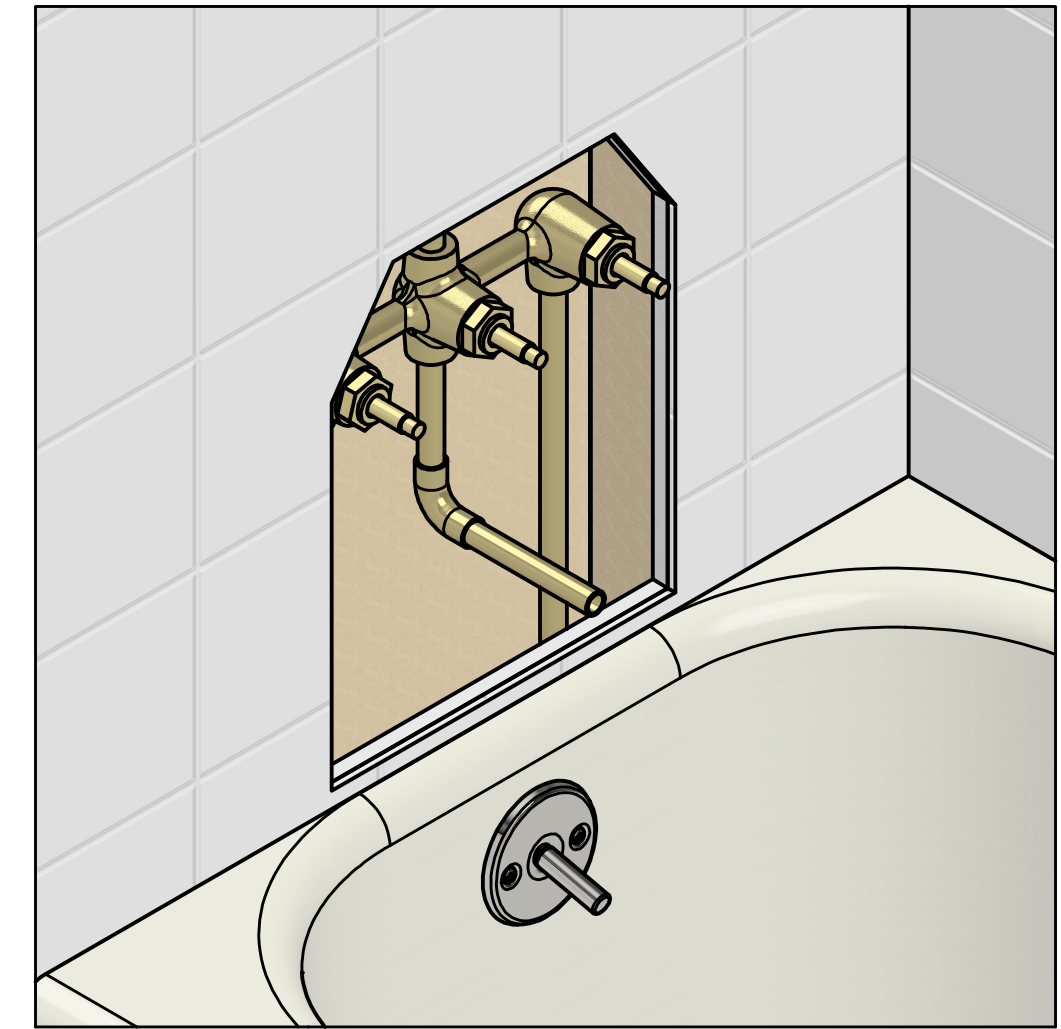




1. Shut off the main water valve that serves the existing tub and shower valve.
2. Remove the trim, stems (if possible), and tub spout from the existing tub and shower valve.

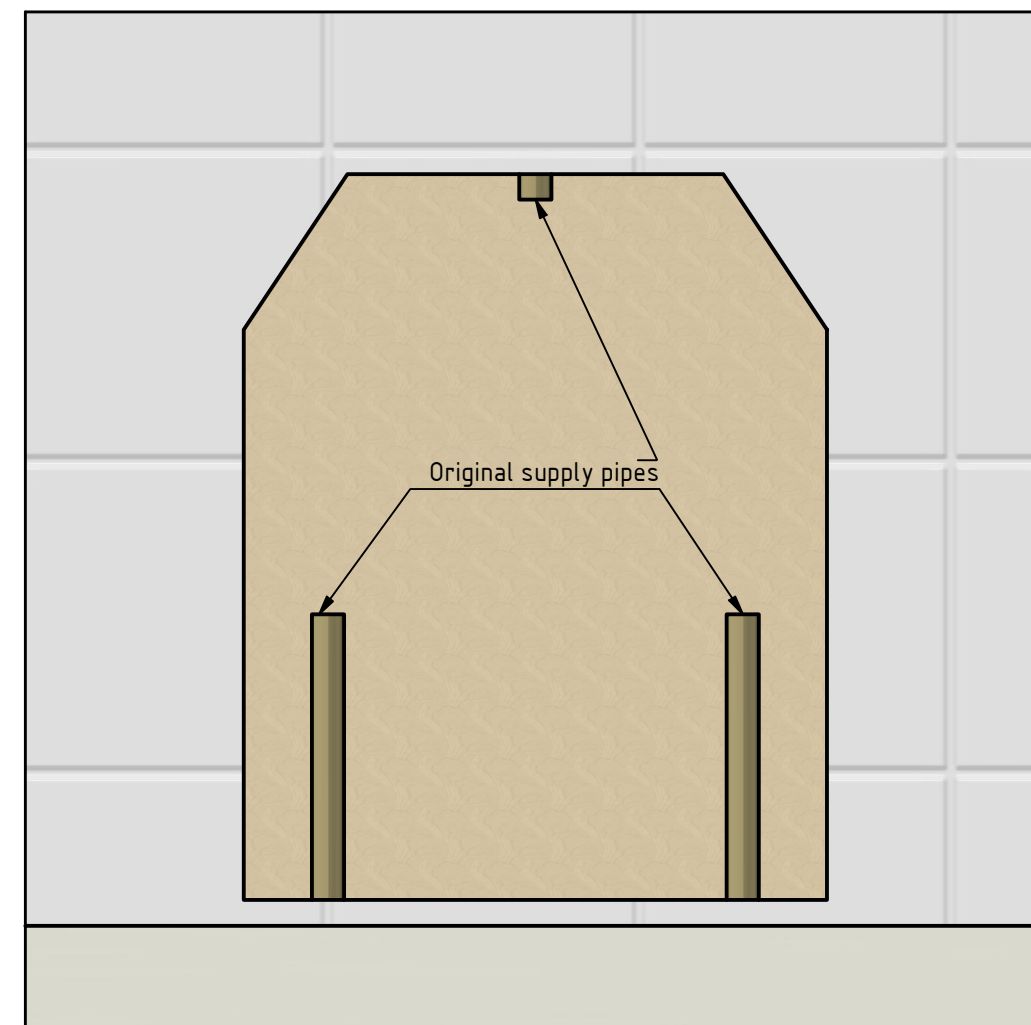


3A. Center the CUTOUT TEMPLATE with the existing tub and shower valve while sitting the bottom of it on the tub apron. Draw a line around the CUTOUT TEMPLATE.



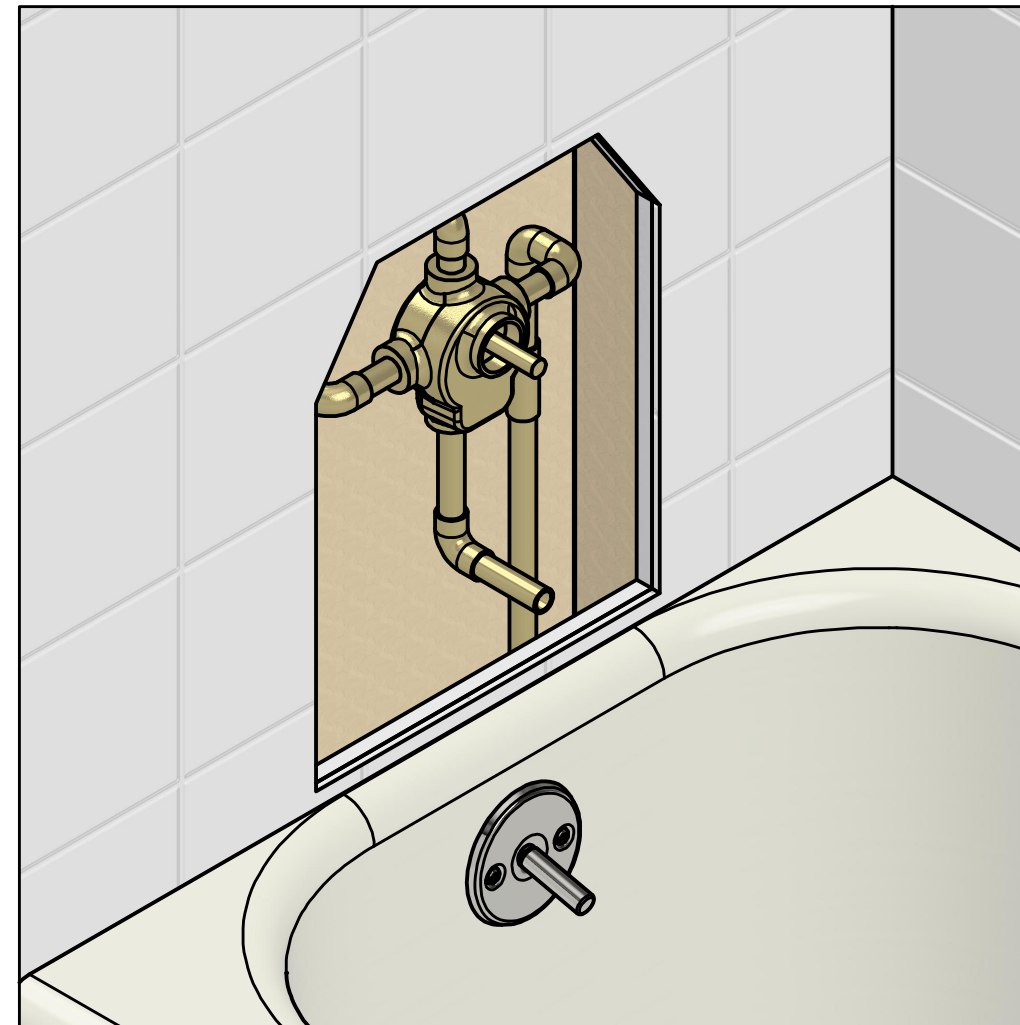
3B. Cut out the wall along the line you have drawn around the CUTOUT TEMPLATE. Remove the cut out portion and debris. Inner wall, piping and existing tub and shower valve should now be exposed.

If the wall around the tub and shower valve is tile we recommend using a grinder with a diamond blade. It may be a good idea to vacuum the dust directly as you grind.

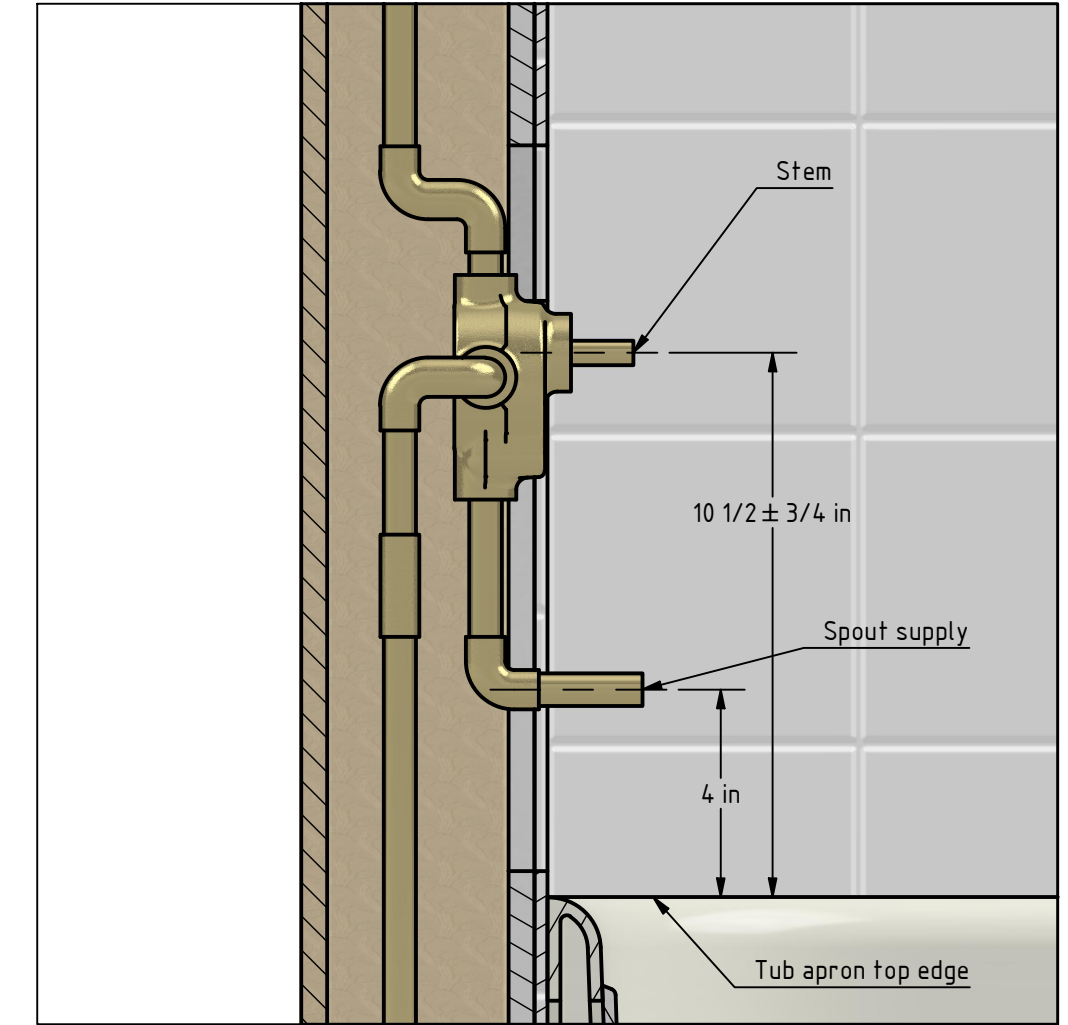


4. Cut the hot, cold and showerhead supply pipes and remove the existing valve, tub spout piping and tub spout.

Be sure to leave enough exposed piping on the hot, cold and shower supply so that you can reconnect the new valve.

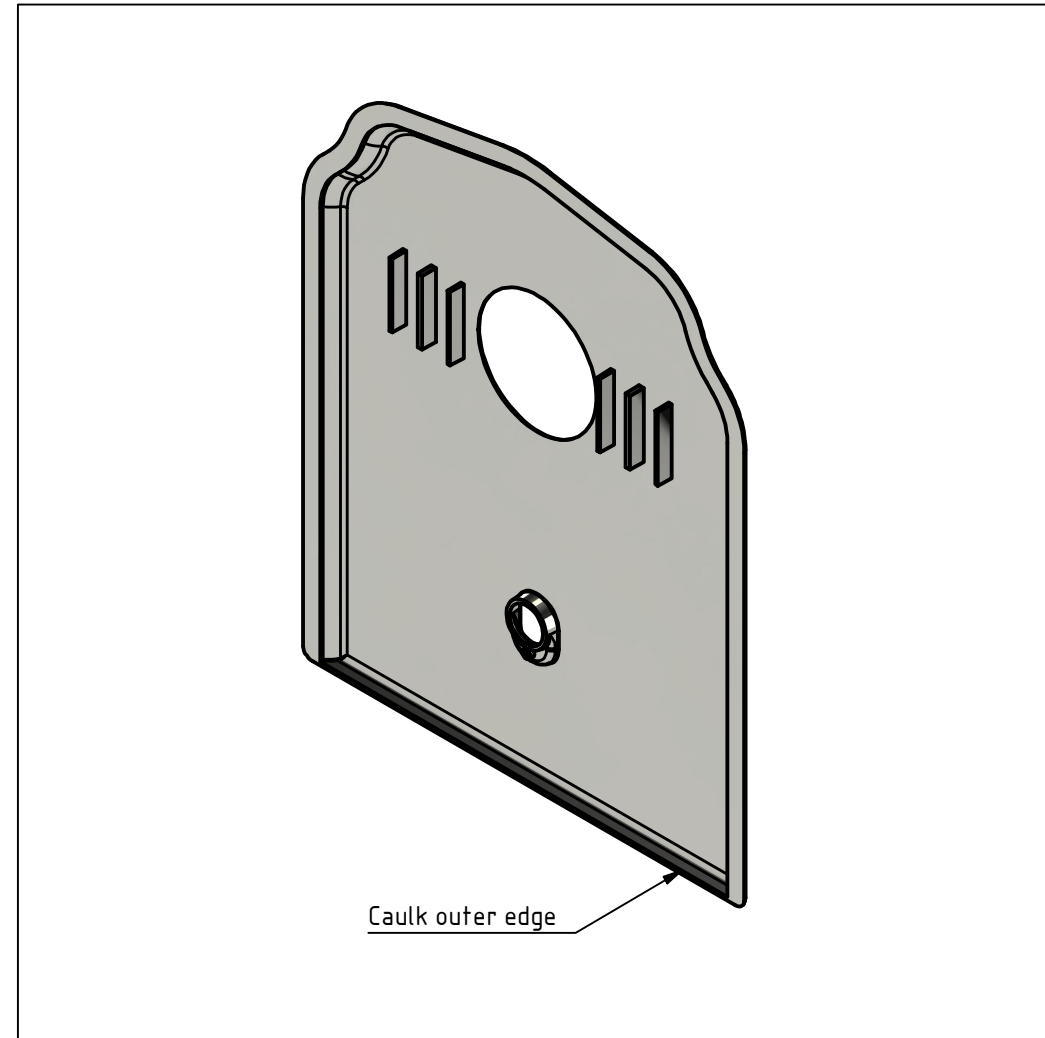


5A. Install your new single handle, updated tub and shower valve. Make sure to secure the valve so that it is not loose or floating in the wall.



5B. Make sure that the center of the tub and shower valve will line up with the center of large hole in the TUB AND SHOWER VALVE UPDATE PLATE (should measure 10 1/2 inches from the tub apron to the stem of your newly installed tub and shower valve).

Make sure tub and shower valve is positioned at the proper depth in the wall per the manufacturers instructions, and that the tub spout supply pipe is positioned at 4 inches to the center of the pipe from the tub apron.

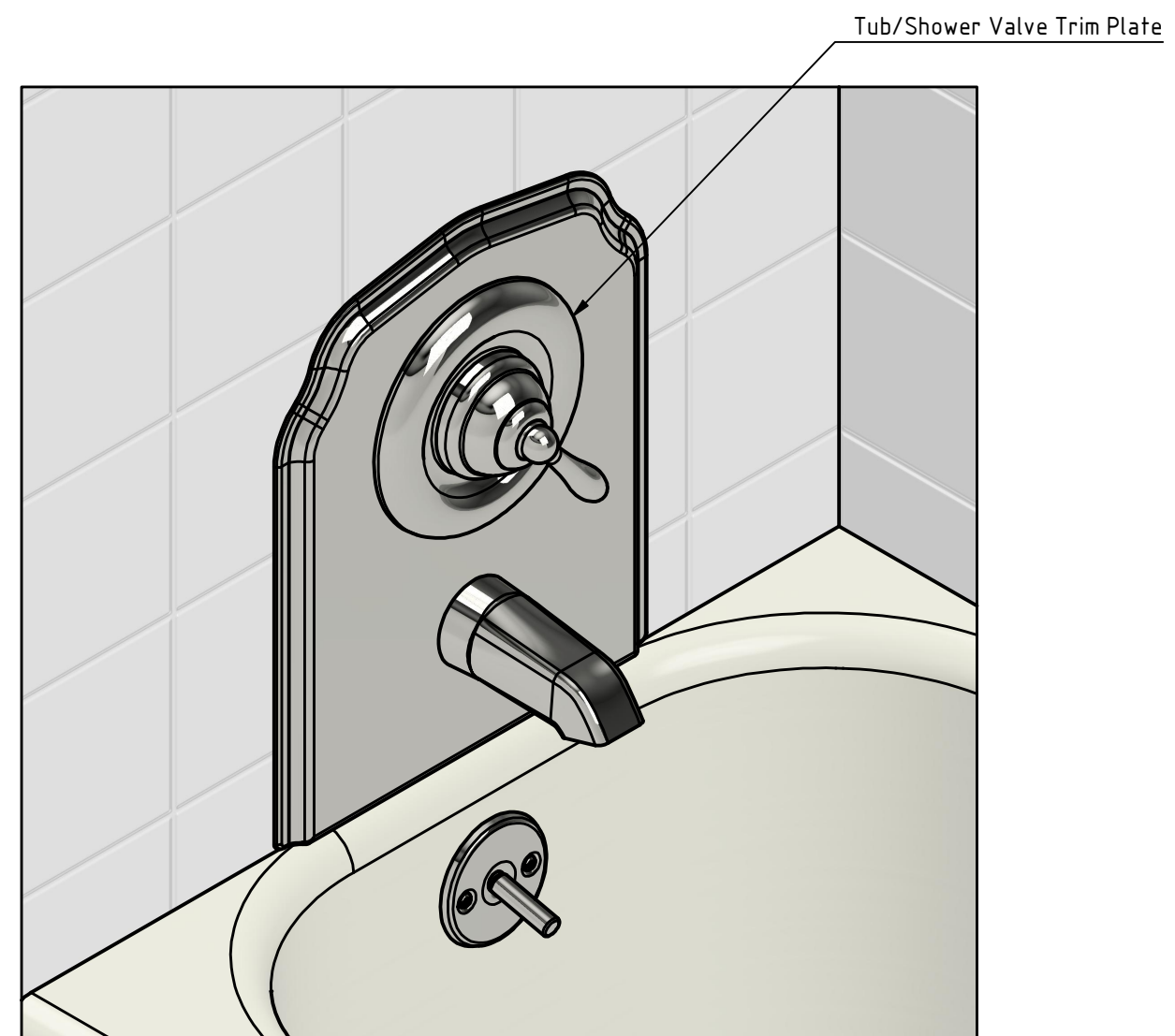


6. Turn the hot and cold water supplies back on while making sure that there are no leaks.

7. Put a 1/4 inch bead of caulking along the back edge of the Tub and Shower Valve UPDATE PLATE. (We recommend a vinyl adhesive caulk. Use a color of your choice.)



9. Install supplied TUB SPOUT SUPPLY CLIP using the 1/2" SCREW provided.



10. Install the tub and shower valve trim according to the tub and shower valve manufacturer's instructions.

When tightening the tub/shower valve trim plate (provided with the tub/shower valve) The Update Plate will pull tight to the wall to what will become it's permanent position.